

ROSE PRECISION

SPHERICAL BEARINGS

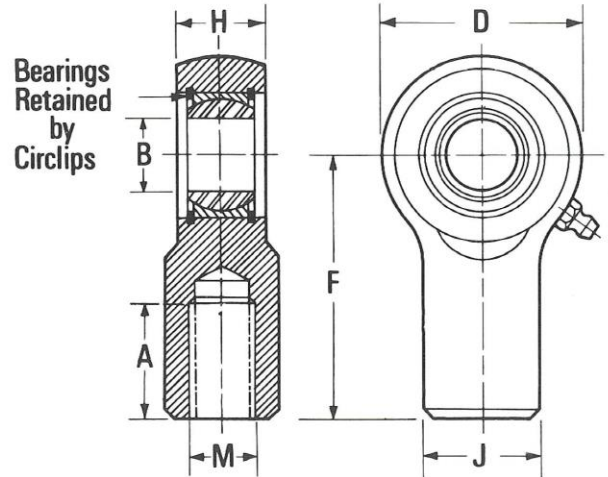
ROD ENDS

ground track

SPECIFICATION

30/40 TONS STEEL FORGING OR FLAME-CUT BLANK WITH STANDARD RBJ 400 SERIES SPHERICAL BEARING.

ALL DIMENSIONS GIVEN IN INCHES.



RCRF series female thread

PART NUMBER	Fitted With Bearing No.	B	H	D	F	A	J	M		Maximum Static Radial Load in Pounds	Weight in Pounds Approx.
		Bore	House Width	Head Diameter	Centre Length			Medium Fit			
		+0.000 -0.005			+0.010 -0.010	+3/32 -3/32			Hand		
RCRF 414 RCRFL 414	RBJ 414	.8750	1 1/16	2 1/4	3 1/2	1 5/8	1 1/2	7/8 BSF	RH LH	26,000	2
RCRF 416 RCRFL 416	RBJ 416	1.0000	1 1/8	2 5/8	3 1/2	1 5/8	1 1/2	7/8 BSF	RH LH	33,000	2 1/2
RCRF 420 RCRFL 420	RBJ 420	1.2500	1 3/8	3	4 1/2	2	1 7/8	1 BSF	RH LH	40,000	4
RCRF 424 RCRFL 424	RBJ 424	1.5000	1 9/16	3 1/2	4 1/2	2	1 7/8	1 BSF	RH LH	48,000	5
RCRF 428 RCRFL 428	RBJ 428	1.7500	1 3/4	3 7/8	5 1/2	2 3/8	2 1/4	1 1/4 BSF	RH LH	53,000	7 1/2
RCRF 432 RCRFL 432	RBJ 432	2.0000	1 15/16	4 1/2	5 1/2	2 3/8	2 1/4	1 1/4 BSF	RH LH	75,000	10 1/4